

RAMMER RPV03S STATIC PULVERIZER



SPEED VALVE

Shorter working cycles to increase productivity

FIELD REPLACEABLE WEAR PARTS

No need of welding/rebuilding jaw's tips

HEAT TREATED PINS AND BUSHINGS

More wear resistant parts with extend life which lowers o&o costs

ADVANCED AND SMART DESIGN

Fixed jaw allows crushed material to pass through increasing productivity

MANUFACTURED OF HB400 STEEL

Highly resistant material to work on concrete

REPLACEABLE CUTTING BLADES

Allows inside rebar processing therefore reducing flame cutting needs which reduces o&o costs

RPV STATIC PULVERIZERS

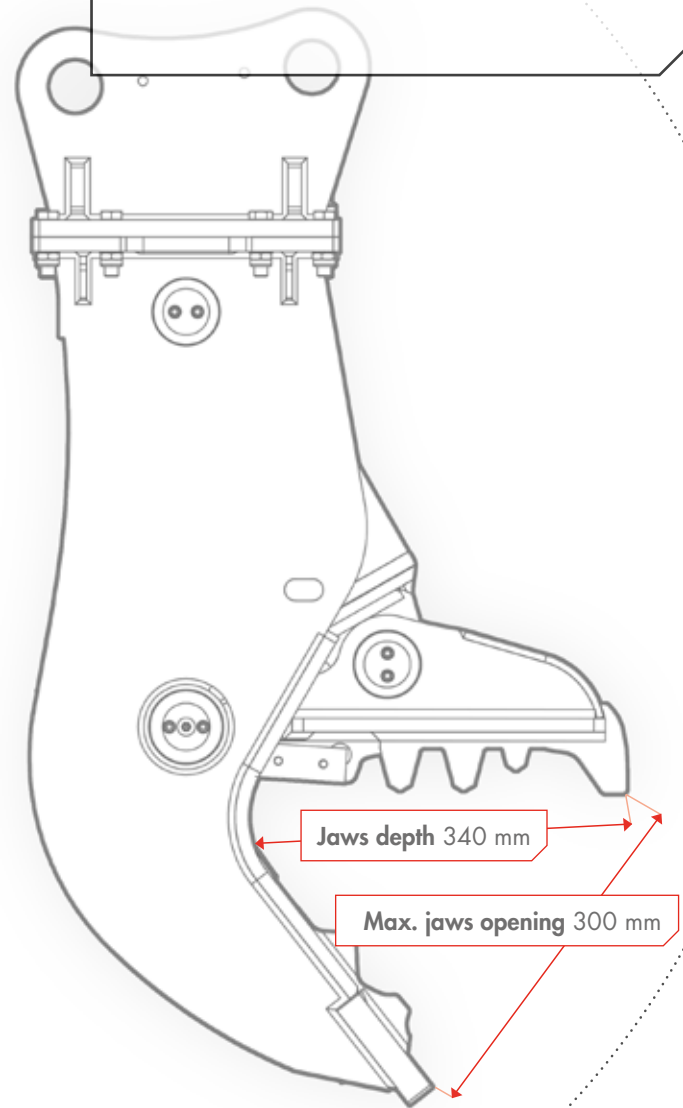
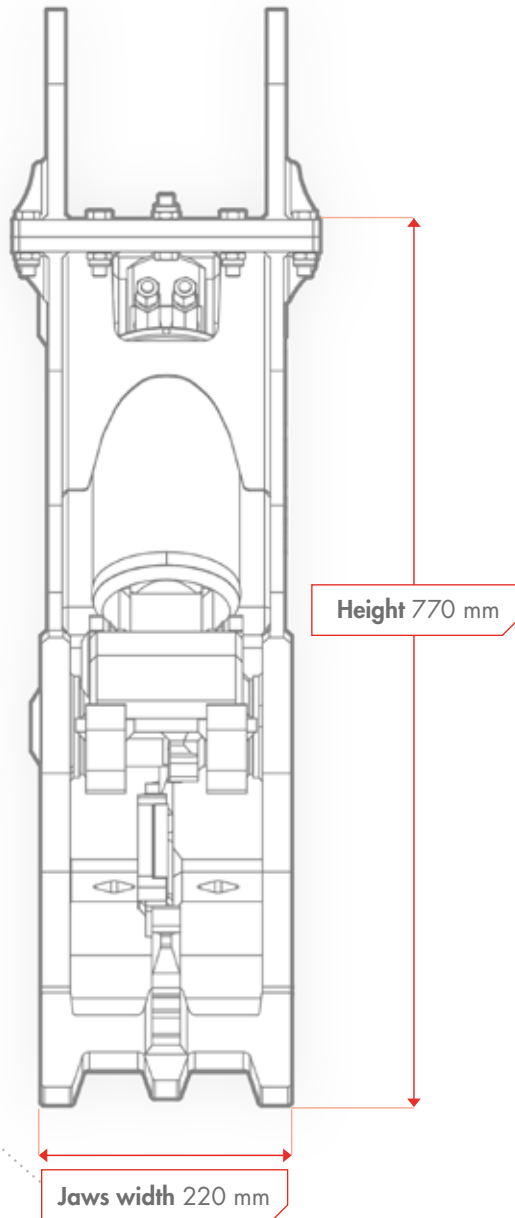
The Rammer RPV Static Pulverizer range is ideally suited to a wide range of secondary demolition and recycling duties. The RPV range of models are designed for fast and effective material separation, a key aspect of the recycling process.

Rammer[®]

RPV03S

SPECIFICATIONS

Working weight, kg	150
Operating pressure, bar	200-250
Oil flow, l/min	30-60
Blade length, mm	80
Carrier weight, range, ton	1.5-4



Sandvik Mining and Construction Oy
Taivalkatu 8, P.O.Box 165
FI-15101 Lahti, Finland
Phone Int. +358 205 44 151
www.rammer.com

**Ram
mer**[®]